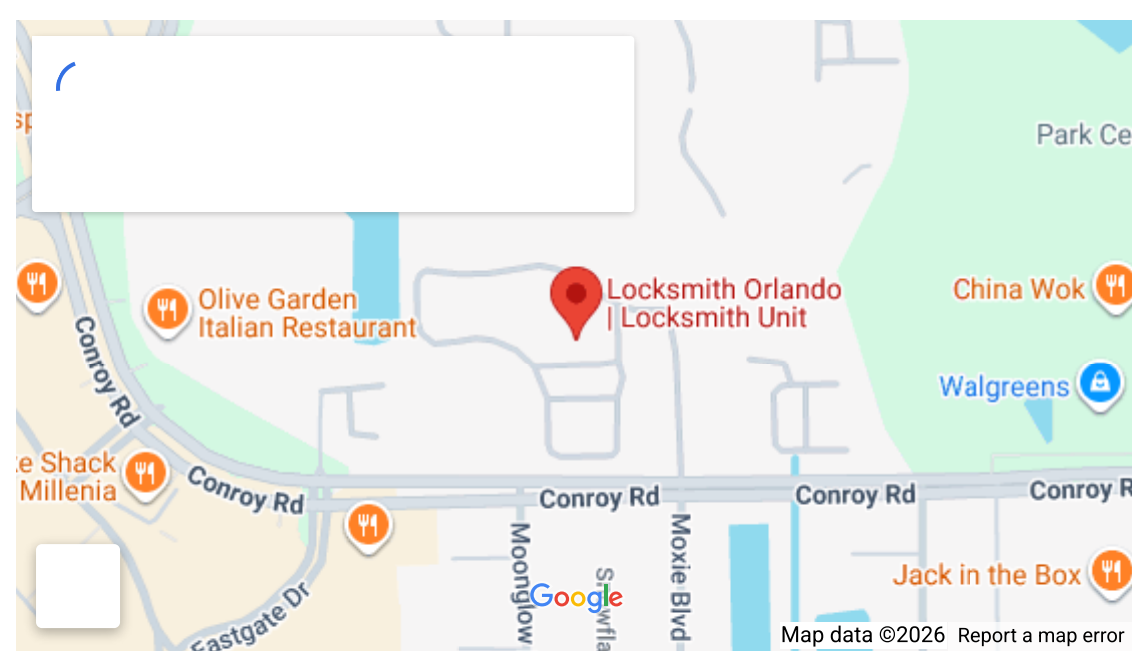


Locked Out 24/7 Locksmith Near Me is a practical phrase that suddenly matters more than your plans. I want to walk you through realistic scenarios, costs you might see, and steps that reduce damage and stress when you need a locksmith fast. You will get clear steps and trade-offs rather than marketing claims.



The real value of a 24 hour locksmith

If your keys are locked inside a car at 2 a.m., waiting until morning is not always an option. A competent after-hours locksmith balances urgency with methods that avoid unnecessary damage. Be prepared for longer waits in rural areas or during storms, because travel time increases and call volume can spike. Understanding response patterns prevents surprises and helps you choose the right service quickly.

How a mobile locksmith differs from a shop-bound locksmith

A mobile locksmith brings a rolling shop so they can fix most problems without towing a car or hauling doors. That matters because you keep time and avoid extra costs like towing or leaving a property unsecured. A skilled mobile locksmith will often supply and program keys at your location for a fraction of dealership prices. Always check that a technician's equipment supports your car year and model to avoid a wasted trip.

What you will likely pay and why prices vary

Most invoices include a dispatch or emergency fee, the actual labor rate, parts like a new key or cylinder, and extra-device costs. Nighttime and holiday service typically carries a surcharge that reflects inconvenience and staffing. A simple car key blade might be inexpensive, but transponder keys, remote fobs, and high-security cylinders add significant cost. Plan for a range, so a basic unlock could be \$50 to \$150, while full key replacement with programming might be \$150 to \$500.

How to vet a locksmith over the phone

Start by confirming the provider is local and offers a verifiable business address rather than only a mobile number. Request a clear estimate that separates dispatch, labor, and parts so you know what you might pay. Ask what identification the technician will show and whether they carry a company ID or uniform. If something feels off, hang up and call another provider; trust matters in an industry that involves access to property.

First minutes of a locksmith visit and what to watch for

Expect the technician to show ID, explain the tools they will use, and confirm authorization to proceed. Most technicians prefer to avoid destructive solutions and will exhaust entry techniques that preserve the lock. If a lock must be replaced, they will discuss cylinder options [locksmith](#) and whether rekeying is a cost-effective alternative. Ask for a written receipt and a parts warranty when the job finishes.

How modern car key replacement works

Older cars use simple metal keys that a locksmith can cut to size from a database or by impressioning. Transponder and smart keys are paired to the car's immobilizer and require the right diagnostic tools and credentials to program. Dealers sometimes claim they are the only option, but many qualified mobile locksmiths program thousands of keys for less. For certain luxury or very new models, dealer-only procedures can apply, so verify capabilities ahead of time.

How to choose between rekeying and changing hardware

When you rekey, the mechanism inside the lock is adjusted so previous keys are rendered useless. If your locks operate smoothly, rekeying is usually the economical choice to regain control without replacing hardware. If the lock shows corrosion, repeated jamming, or is a low-security grade, replacement often makes sense. Balance cost, expected lifespan, and security needs before deciding, because a cheap rekey may not be wise if the hardware is failing.

Fast tips for people locked out of a house or car

Stay calm and assess safety before anything else. If you can reach a spare key through family, friends, or a lockbox, that is usually the fastest fix. Avoid DIY methods that can cause damage unless you know what you are doing. If a spare is unavailable, call a reputable 24 hour locksmith and describe your lock type and exact location to speed response.

Practical upgrades that reduce future lockouts and improve safety

Upgrade to a quality deadbolt and ensure screws anchor the strike plate into the frame, not just the trim. Consider keyed-alike options if multiple doors or properties share access and you want a single key. Choose electronic locks for convenience, but keep mechanical backup and plan for battery maintenance. Regularly rekey rental properties or shared spaces to prevent old keys from being used, because rekeying is inexpensive and effective.

Checklist to decide between providers quickly

Prefer services that show consistent local presence and customer feedback instead of anonymous adverts. Confirm in advance that their van stocks the key blanks, transponder programmers, and cylinder types you may need. A trustworthy locksmith will clearly explain methods, avoid unnecessary destruction, and provide documentation if you ask. When a provider requires full payment before work or gives an implausibly cheap quote, pause and consider alternatives.

Examples from the field and how technicians adapt

Some cars use proximity keys that need dealer-level systems to register replacements, which complicates mobile programming. Old locks with decades of wear can bind in ways that make rekeying difficult and sometimes require full replacement. Extracting a broken key without damaging the lock needs experience and the right tools, though it is routine for pros. Business lock issues can be complex because master keys, multiple users, and code systems demand a careful audit.

What to ask for and keep after the locksmith leaves

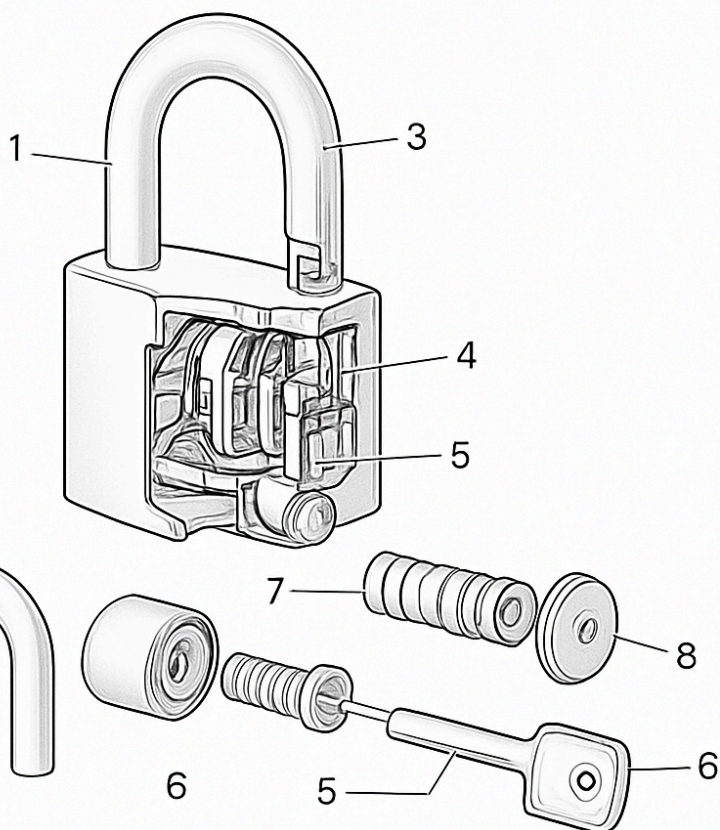
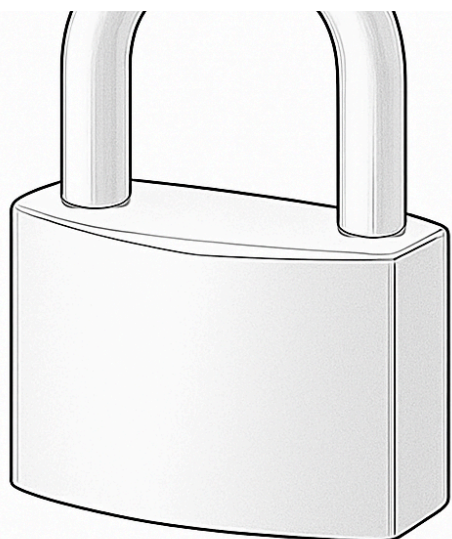
Ask for a detailed invoice that lists the call-out fee, time on site, parts replaced, and the tech's identification details. If keys were replaced, ask the locksmith to note the key code or serial number for future replacements. Write down vehicle details and what programming method was used, because that information matters for future service. Store warranties and the receipt with your other important documents and follow any maintenance suggestions like battery checks.

Final practical checklist before you call a locksmith

Have your exact address and a clear description of where the vehicle or door is parked to shorten response time. If you can, provide key details like car VIN or door hardware brand to avoid surprises on arrival. Ask about total cost components and payment options before agreeing, so you know if they take card, app pay, or cash. Insist on ID and a final itemized invoice when the job is done to protect yourself and keep a record.

A few honest trade-offs to remember

Cheap emergency service sometimes sacrifices speed, quality, or guarantees. Paying a little more for a vetted local pro buys better documentation and lower risk of property damage. For non-emergencies, a daytime appointment often yields better pricing and equipment availability. In true emergencies where safety or commerce is at risk, focus on trusted, quick service rather than bargain hunting.



1 Shackie	6 Dnikons	7 Springs
-----------	-----------	-----------

Small habits that save time and money over years

Keep at least one well-hidden spare with a trusted neighbor or family member rather than under the mat. Key safes let you share temporary codes for access instead of handing out multiple copies of a key. Label keys discreetly and reduce duplicates so you know which key fits which lock quickly. Regularly testing remotes and spares avoids the surprise of dead batteries or worn keys when you need them.

Why a maintained relationship reduces risk and cost

A local provider who knows your locks and has on-file key codes makes after-hours calls faster and more efficient. Commercial clients benefit from a service contract that includes routine checks, priority response, and record-keeping. Even a single household gains from a go-to locksmith who understands your needs and keeps records of past work. A [cheap car key replacement](#) preferred provider may cost slightly more for priority service, but that cost buys speed, trust, and continuity.

A final field note from long experience

The most common regret I see is not having a prepared spare or a trusted number to call. A little planning and a few dollars for a secure spare pays off compared with late-night emergency fees and anxiety. Use the advice here to build a short checklist, review it yearly, and rely on intuition if a locksmith's behavior seems off.

Locksmith in Orlando, Florida: If you're looking for a reliable locksmith in Orlando, FL, our company is here to help with certified and trustworthy locksmith services designed to fit your needs.

Locksmith Orlando | Locksmith Unit

- **Address:** 3725 Conroy Rd, Orlando, FL 32839, United States
- **Phone:** [+1 407-267-5817](tel:+14072675817)
- **Hours:** Open 24 hours
- **Website:** locksmithunit.com
- **Contact Us:** [Contact Locksmith Unit Orlando, FL](#)
- **About Us:** [About Locksmith Unit Orlando, FL](#)

Connect with us

- **Google Business Profile:** [Locksmith Orlando | Locksmith Unit on Google Maps](#)
- **Facebook:** [Locksmith Orlando | Locksmith Unit on Facebook](#)
- **Instagram:** [Locksmith Orlando | Locksmith Unit on Instagram](#)
- **YouTube:** [Locksmith Orlando | Locksmith Unit on YouTube](#)
- **TikTok:** [Locksmith Orlando | Locksmith Unit on TikTok](#)
- **X (Twitter):** [Locksmith Orlando | Locksmith Unit on X \(Twitter\)](#)
- **LinkedIn:** [Locksmith Orlando | Locksmith Unit on LinkedIn](#)
- **Pinterest:** [Locksmith Orlando | Locksmith Unit on Pinterest](#)
- **Threads:** [Locksmith Orlando | Locksmith Unit on Threads](#)
- **Blogger:** [Locksmith Orlando | Locksmith Unit on Blogger](#)
- **Tumblr:** [Locksmith Orlando | Locksmith Unit on Tumblr](#)
- **Bluesky:** [Locksmith Orlando | Locksmith Unit on Bluesky](#)
- **Band:** [Locksmith Orlando | Locksmith Unit on Band](#)
- **VK:** [Locksmith Orlando | Locksmith Unit on VK](#)
- **Yelp:** [Locksmith Orlando | Locksmith Unit on Yelp](#)

Worldwide Brand Profiles

- **Medium:** [Locksmith Unit on Medium](#)
- **Instapaper:** [Locksmith Unit on Instapaper](#)
- **Diigo:** [Locksmith Unit on Diigo](#)

More Locksmith Services

- [Commercial Locksmith](#)
- [Residential Locksmith](#)
- [Automotive Locksmith](#)
- [Car Locksmith](#)
- [Vaults and Safes Locksmith](#)
- [Lock Change](#)