

Immediate lock repair near me is the phrase many type into their phones after a lockout or a burglary attempt. My experience includes emergency entries, rekeys at dawn, and advising owners on which locks hold up to daily wear. This article walks through how those services work, what to expect from a 24 hour locksmith near me, and how to choose one you can trust.

What to expect when you search for Rapid Home Lock Repair

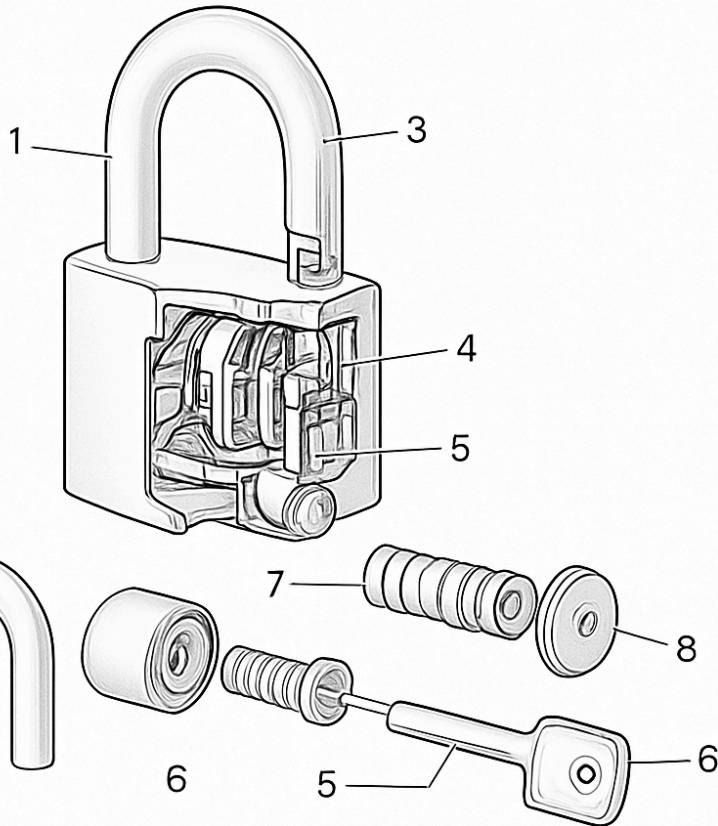
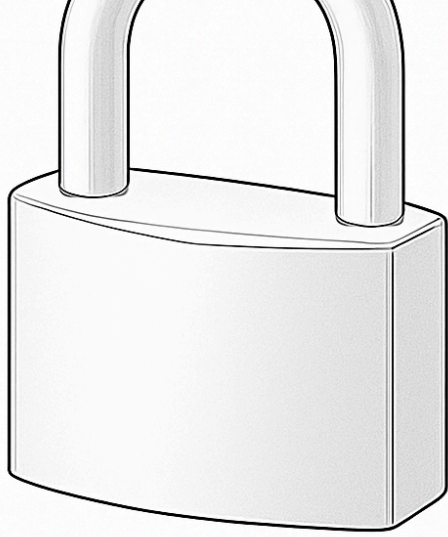
If you dial a 24 hour locksmith near me, the dispatcher will usually verify who you are and where you are before sending help. They do that to prevent unauthorized entries and to send the right tools, whether the issue is a broken key, damaged cylinder, or an electronic lock. The vehicle should look like a workshop on wheels with boxes of hardware, a key machine, and a tidy selection of picks and extractors.

How long it usually takes and what it costs to call a 24 hour locksmith

A realistic downtown response is often under half an hour, while suburban or rural trips can run 30 to 90 minutes depending on location. Be cautious of prices quoted before the locksmith confirms details, because a simple house lockout is different from a broken key extraction or lock replacement. Expect inexpensive fixes like key duplication and minor adjustments to be on the low end, and specialty hardware, security upgrades, or heavy-duty strike plates to raise the price.

What most calls actually are and how technicians usually fix them

Many calls fall into a few predictable categories: house lockout, broken key in lock, rusted or sticky cylinder, and worn strike plates. For a broken key extraction, the usual fix is to use specialized tools to pull the shard, then cut a new key and test the cylinder. Replacing a misaligned strike plate or adjusting hinges will sometimes stop a deadbolt from catching <https://locksmithunit.com/locksmith-kissimmee-fl/> without buying a new lock.



| | | |
|-----------|-----------|-----------|
| 1 Shackie | 6 Dnikons | 7 Springs |
|-----------|-----------|-----------|

When you need car key replacement and how a car locksmith near me fits in

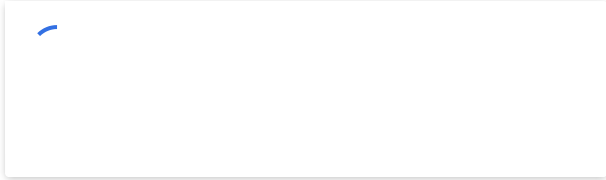
Unlike a residential deadbolt swap, replacing a car key often requires vehicle-specific equipment and an understanding of immobilizer systems. A key with a transponder chip will look like an ordinary key but must be coded to the car's immobilizer, which a car locksmith usually handles with a portable programmer. Expect older vehicles to be simpler and less costly, and newer or luxury cars to demand specialized parts and therefore higher prices.

Red flags and green flags when comparing local locksmiths

A trustworthy locksmith will be willing to give a business name, a physical address, and an approximate arrival window before showing up. If a van arrives with no company sign, no ID, and no paperwork, politely ask for the business card and look up the number before signing anything. A locksmith who explains options like rekey versus replace, shows the damaged part, and offers a written receipt is usually honest.

Why rekey locks can be the smart short-term fix and when to change locks instead

Rekeying works well when the hardware is in good condition but the key set needs to be changed for security reasons. However, change locks if the existing hardware is damaged, if you want upgraded security, or if you have an older mortise lock that shows wear. If you are unsure, a good locksmith will inspect the latch, cylinder, and strike and recommend rekey versus replace with reasons and an estimate.



Upgrading for peace of mind: which hardware choices matter most

A solid deadbolt, a reinforced strike plate, and longer [locksmith](#) screws into the door frame give measurable resistance to kick-ins. Consider restricted keyways if you need to prevent unauthorized duplication of keys, as some systems require proof of ownership to cut new keys. Smart locks add convenience, but they also introduce dependency on batteries and network security, so balance features with reliability.

What to do immediately after a break-in or suspected tampering

Contacting law enforcement and getting a brief report helps with insurance and proves the incident occurred before repairs. Call a local, reputable emergency locksmith to secure the property quickly, ideally one who can provide temporary protection while you decide on permanent upgrades. After repairs, change all affected entry keys and consider rekeying locks that may have been compromised during the incident.

Quick items to check or ask before the technician arrives

Store one or two vetted numbers under a contact name so you can call calmly instead of searching through search results. Write down the technician's name and plate number if you can, and take a photo of the invoice after the job is done to keep a record.

Final practical advice for choosing fast service you can trust

When speed matters, balance fast response with basic verification: a quick arrival is worthless if the person is unaccountable or unethical. For landlords and frequent travelers, a trusted locksmith who understands your properties and key control saves friction and surprises.

Locksmith in Orlando, Florida: If you're looking for a reliable locksmith in Orlando, FL, our company is here to help with certified and trustworthy locksmith services designed to fit your needs.

Locksmith Orlando | Locksmith Unit

- **Address:** [3725 Conroy Rd, Orlando, FL 32839, United States](#)
- **Phone:** [+1 407-267-5817](#)
- **Hours:** Open 24 hours
- **Website:** [locksmithunit.com](#)
- **Contact Us:** [Contact Locksmith Unit Orlando, FL](#)
- **About Us:** [About Locksmith Unit Orlando, FL](#)

Connect with us

- **Google Business Profile:** [Locksmith Orlando | Locksmith Unit on Google Maps](#)
- **Facebook:** [Locksmith Orlando | Locksmith Unit on Facebook](#)
- **Instagram:** [Locksmith Orlando | Locksmith Unit on Instagram](#)
- **YouTube:** [Locksmith Orlando | Locksmith Unit on YouTube](#)
- **TikTok:** [Locksmith Orlando | Locksmith Unit on TikTok](#)
- **X (Twitter):** [Locksmith Orlando | Locksmith Unit on X \(Twitter\)](#)
- **LinkedIn:** [Locksmith Orlando | Locksmith Unit on LinkedIn](#)
- **Pinterest:** [Locksmith Orlando | Locksmith Unit on Pinterest](#)
- **Threads:** [Locksmith Orlando | Locksmith Unit on Threads](#)
- **Blogger:** [Locksmith Orlando | Locksmith Unit on Blogger](#)
- **Tumblr:** [Locksmith Orlando | Locksmith Unit on Tumblr](#)
- **Bluesky:** [Locksmith Orlando | Locksmith Unit on Bluesky](#)
- **Band:** [Locksmith Orlando | Locksmith Unit on Band](#)
- **VK:** [Locksmith Orlando | Locksmith Unit on VK](#)
- **Yelp:** [Locksmith Orlando | Locksmith Unit on Yelp](#)

Worldwide Brand Profiles

- **Medium:** [Locksmith Unit on Medium](#)
- **Instapaper:** [Locksmith Unit on Instapaper](#)
- **Diigo:** [Locksmith Unit on Diigo](#)

More Locksmith Services

- [Commercial Locksmith](#)
- [Residential Locksmith](#)
- [Automotive Locksmith](#)
- [Car Locksmith](#)
- [Vaults and Safes Locksmith](#)
- [Lock Change](#)